

SHIMPO INSTRUMENTS LASER TACHOMETERS

Feature new laser measurements up to 20 feet away!

A bright red laser mark provides for NON-CONTACT RPM measurements from 1 inch to 20 feet permitting a wider margin of safety. RPM measurements can now be made through the smallest of site glasses and openings, eliminating the need to remove machine covers and shields, saving time and money.



Available Models:

- DT-205LR
- DT-205LR-S12
- DT-207LR
- DT-207LR-S12

A *Nidec* Group Company

SHIMPO

All for dreams

SHIMPO INSTRUMENTS

FEATURES & BENEFITS

All tachometers come fully equipped, eliminating the need to purchase additional accessories for "contact" RPM, linear rate or length measurements.

The DT-205LR and DT-207LR offer:

- Multi-mode capability measures RPM, mPM, YPM, FPM, IPM and total Meters, Yards, Feet and Inches
- 13 measurements may be stored
- Safely measures RPM (non-contact mode) up to 20 feet away
- 5-digit LED & LCD display permits easy reading
- Long battery life (25 to 40 hours continuous use)
- Rugged die-cast aluminum housing provides exceptional durability and reliability
- Extended measuring range (6 – 99,999 rpm) covers a wide range of applications
- NIST Traceable Certificate

DT-205LR (LCD)

Standard Accessories

- Carrying Case
- (2) Cone Tips
- Funnel Tip
- DT-ADP-200LR Adapter
- 6" Circumference Wheel
- Reflective Tape
- 3 1/2" Ext. Shaft



DT-207LR (LED)

Standard Accessories

- Carrying Case
- (2) Cone Tips
- Funnel Tip
- DT-ADP-200LR Adapter
- 6" Circumference Wheel
- Reflective Tape
- 3 1/2" Ext. Shaft



DT-205LR-S12 (LCD)

Standard Accessories

- Carrying Case
- (2) Cone Tips
- Funnel Tip
- DT-ADP-200LR Adapter
- 12" Circumference Wheel
- Reflective Tape
- 3 1/2" Ext. Shaft



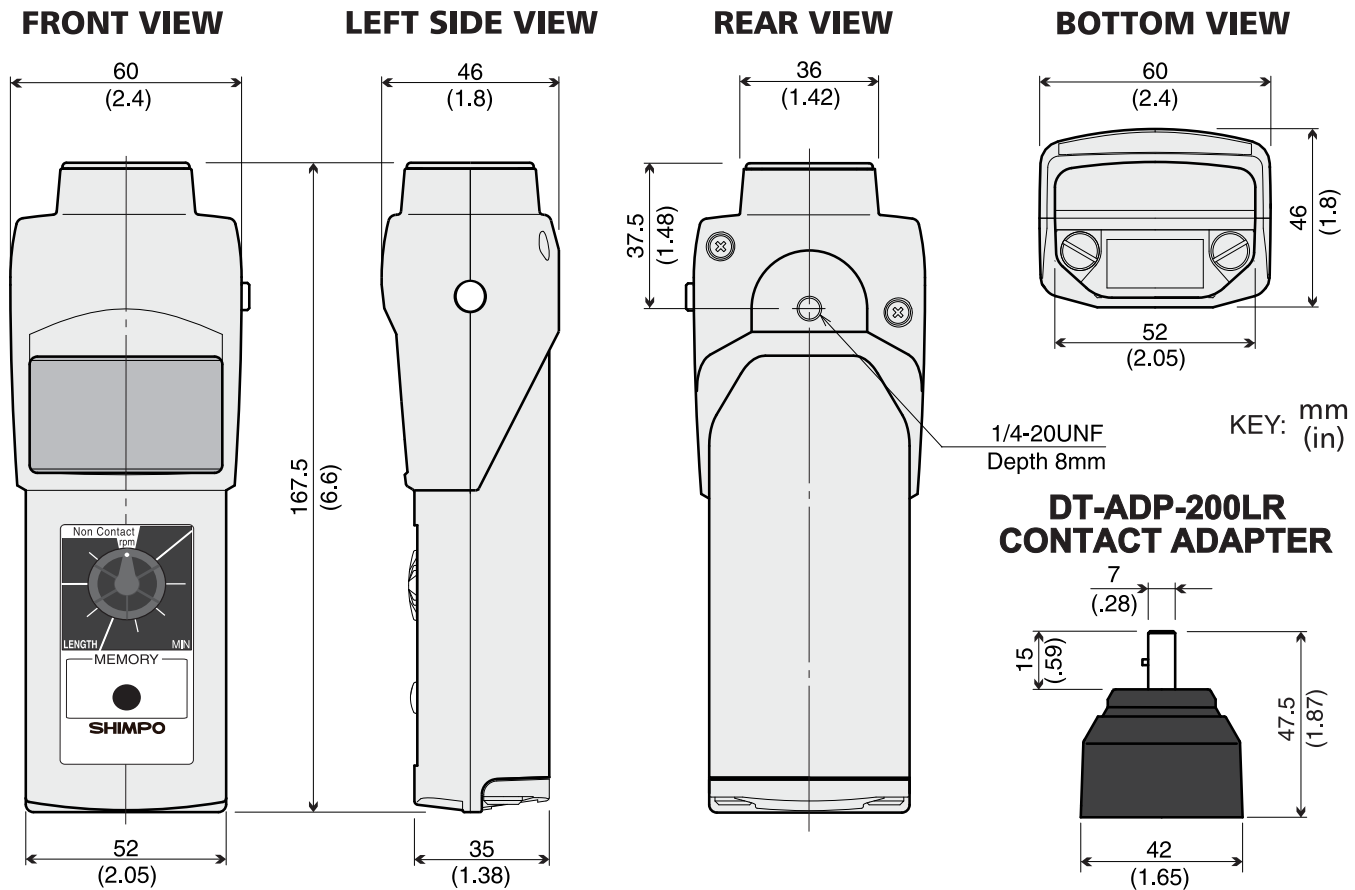
DT-207LR-S12 (LED)

Standard Accessories

- Carrying Case
- (2) Cone Tips
- Funnel Tip
- DT-ADP-200LR Adapter
- 12" Circumference Wheel
- Reflective Tape
- 3 1/2" Ext. Shaft



DIMENSIONS & SPECIFICATIONS



DT-205LR (LCD)	Master Wheel (6" cir.)
DT-205LR-S12 (LCD)	Master Wheel (12" cir.)
DT-207LR (LED)	Master Wheel (6" cir.)
DT-207LR-S12 (LED)	Master Wheel (12" cir.)
Display Range	6 - 99,999 rpm
Accuracy	±1 rpm: 6 -8,300 rpm ±2 rpm: 8,300 - 25,000 rpm ±0.006% of reading ±1 digit (±6 rpm max.) 25,000 - 99,999 rpm
Display	5 digit 0.4" (10mm) high LED
Measuring Units	RPM (using contact adapter) DT-ADP-200LR for YPM, mPM, FPM, IPM, and Length: YRD, m, FT and IN use wheel with DT-ADP-200LR adapter
Measuring Distance	20' (6m) maximum
Memory System	13 readings are stored in memory and retained for 5 minutes (last, max., min., and 10 extra measurements)
Detection	Laser Diode / Contact Adapter
System Control	Single Chip C-MOS microprocessor
Over Range Indicator	Flashing Numerals
Update Time	1 Second (Typical)
Batteries (2 AA Included)	DT-205LR & S12 - Life: Approx. 40 hrs / DT-207LR & S12 - Life: Approx. 25 hrs
Low Voltage Indicator	"B" Display
Operating Temperature	32° - 113°F (0° - 45°C)
Construction	Die-cast Aluminum Housing
Weight	0.8 lb (365g)
Dimensions	6.6" L x 2.4" W x 1.8"H (167.5 mm x 60 mm x 46 mm}
Warranty	1 Year
Standard Accessories	Reflective tape, 2 cone tips, 1 funnel tip, carrying case, DT-ADP-200LR adapter, 3.5" Extension Shaft, NIST Traceable Certificate, Instruction Manual, and Warranty Card



Tachometer Accessories (contact/non-contact):



DT-ADP-200LR
Contact adapters for
DT-205LR & DT-207LR



Cone Tips
Contact RPM
measurement
Cone: 1/2
Cone: 3/4
Cone: 1 1/4



Funnel Tips
Contact RPM
measurement
Funnel: 1/2
Funnel: 3/4



Extension Shaft (3 1/2")
For all DT Series Handheld tachometers



Reflective Tape
(1" X 7 3/4") Tape strip



Reflective Tab (1/2" X 1/2")
35 Tabs per sheet



FPM-12
(feet/min) 12" cir.)



FPM-6-GV
(6" cir. grooved wheel)



FPM-6
(feet/min, 6" cir.)



DT-CARRY100
Plastic carrying case for all
DT handheld tachometer series

DISTRIBUTED BY:

